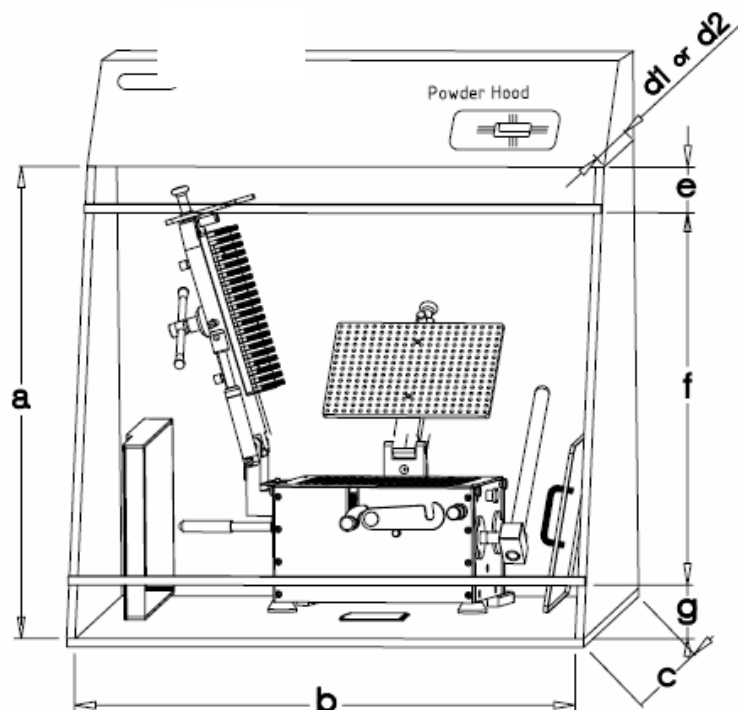


The information below is designed to assist you in selecting a powder hood for the ProFiller 3700 or 3800. If you have further questions, feel free to contact [CapsuleConnection.com](http://CapsuleConnection.com)



**Outside the Powder Hood:**

- Empty capsules and filled capsules.
- Orienter.
- Capsule orientation.
- Caps Tray when not in use for separation or locking

**Inside the Powder Hood:**

- Filler
- Vibrator (if used)
- Powder Tray<sup>1</sup>, Push Plate<sup>1</sup>, Powder Spreader
- Caps Tray for separation and locking.

Powder Hood for ProFiller 3700/3800 Filler	Minimum Inner Dimensions Includes Allowance for workspace <sup>2</sup>				Top Sash Height <sup>3</sup> (optional)	Opening Required For Operation <sup>3</sup>	Bottom Sash Height <sup>3</sup> (optional)	
	Height	Width	Depth					
			Bottom	Top				
	(a)	(b)	(c)	(d)				(e)
Filler	inch	24	27	23	18	6	11 - 15 <sup>4</sup>	7
	cm	61	68	58	46	15	28 - 38	18

<sup>1</sup> Powder Tray and Push Plate kept vertically against side walls of powder hood.

<sup>2</sup> The allowance for workspace is 2 inches (5cm) on the height, 2 inches (5cm) on each of the left and right side (width) and 1.5 inches (4cm) on each of the front and back sides (depth).

<sup>3</sup> The dimensions “e”, “f” and “g” are given considering a table height of 32 inches (73 cm). Dimensions may change based on the height of table. Recommended table height is 29-34 inches (73-86cm).

<sup>4</sup> Recommended Opening Required for Operation is 11-15 inches (28-38 cm), 11 inches (28 cm) is functional whereas 15 inches (38 cm) is optimal.